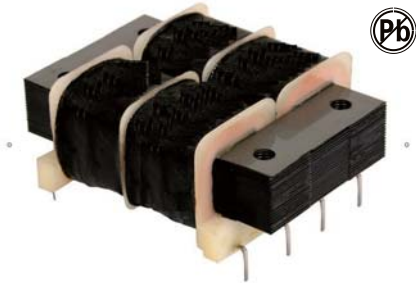


# LOW PROFILE PLUG-IN TRANSFORMERS



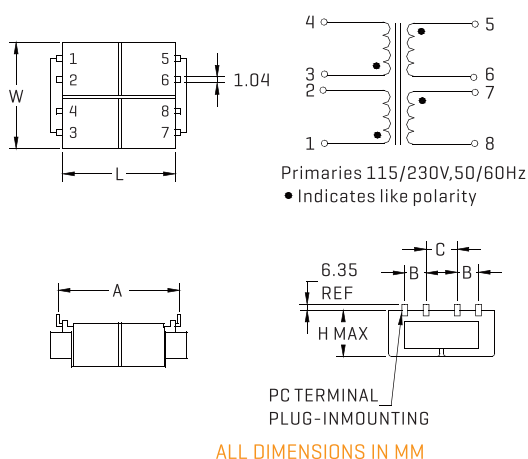
for limited-space PC board applications

These low-profile Plug-in power transformers are wound in a semi-toroidal configuration to minimize both EMI and unit height. They are designed for low-height critical pc board applications in semi-conductor control and instrumentation and for use in single, dual, or reference dc supplies and isolated control circuits. Available in five sizes. All parts meet RoHS compliance.

## FEATURES

- Low height profile
- 1500V RMS HIPOT
- PRIMARY : dual primaries [115V/230V] 50/60Hz
- SECONDARY : Series or parallel
- Vacuum impregnated
- Baked resin -- provides fully cured and environmentally
- Sizes 2, 6, and 12 are available as encapsulated and hermetically sealed [request drawings].

## PHYSICAL CHARACTERISTICS



| Size | L    | W    | H    | A    | B    | C    | Wgt  | Reg. [%]<br>(Typ.) |
|------|------|------|------|------|------|------|------|--------------------|
| 2    | 47.6 | 39.7 | 16.5 | 40.6 | 9.5  | 9.5  | 141g | 20                 |
| 6    | 47.6 | 39.7 | 21.6 | 40.6 | 9.5  | 9.5  | 198g | 18                 |
| 12   | 63.5 | 50.8 | 27.1 | 50.8 | 12.7 | 12.7 | 311g | 15                 |
| 24   | 73.0 | 57.2 | 31.8 | 48.3 | 15.2 | 13.5 | 425g | 15                 |
| 48   | 79.4 | 63.5 | 34.9 | 55.4 | 15.2 | 16.8 | 595g | 12                 |

## ELECTRICAL CHARACTERISTICS AT 25°C

| Part Number | VA | Secondary RMS Rating Series | Parallel     |
|-------------|----|-----------------------------|--------------|
| APL-10-250  | 2  | 10V C.T. @ 250mA            | 5V @ 500mA   |
| APL-10-600  | 6  | 10V C.T. @ 600mA            | 5V @ 1.20A   |
| APL-10-1200 | 12 | 10V C.T. @ 1.20A            | 5V @ 2.40A   |
| APL-10-2400 | 24 | 10V C.T. @ 2.40A            | 5V @ 4.80A   |
| APL-10-4800 | 48 | 10V C.T. @ 4.80A            | 5V @ 9.60A   |
| APL-12-200  | 2  | 12.6V C.T. @ 200mA          | 6.3V @ 400mA |
| APL-12-450  | 6  | 12.6V C.T. @ 450mA          | 6.3V @ 900mA |
| APL-12-900  | 12 | 12.6V C.T. @ 900mA          | 6.3V @ 1.80A |
| APL-12-1900 | 24 | 12.6V C.T. @ 1.90A          | 6.3V @ 3.80A |
| APL-12-3800 | 48 | 12.6V C.T. @ 3.80A          | 6.3V @ 7.60A |
| APL-16-150  | 2  | 16V C.T. @ 150mA            | 8V @ 300mA   |
| APL-16-350  | 6  | 16V C.T. @ 350mA            | 8V @ 700mA   |
| APL-16-700  | 12 | 16V C.T. @ 700mA            | 8V @ 1.40A   |
| APL-16-1500 | 24 | 16V C.T. @ 1.50A            | 8V @ 3.00A   |
| APL-16-3000 | 48 | 16V C.T. @ 3.00A            | 8V @ 6.00A   |
| APL-18-135  | 2  | 18V C.T. @ 135mA            | 9V @ 270mA   |
| APL-18-325  | 6  | 18V C.T. @ 325mA            | 9V @ 650mA   |
| APL-18-650  | 12 | 18V C.T. @ 650mA            | 9V @ 1.30A   |
| APL-18-1300 | 24 | 18V C.T. @ 1.30A            | 9V @ 2.60A   |
| APL-18-2600 | 48 | 18V C.T. @ 2.60A            | 9V @ 5.20A   |
| APL-20-125  | 2  | 20V C.T. @ 125mA            | 10V @ 250mA  |
| APL-20-300  | 6  | 20V C.T. @ 300mA            | 10V @ 600mA  |
| APL-20-600  | 12 | 20V C.T. @ 600mA            | 10V @ 1.20A  |
| APL-20-1200 | 24 | 20V C.T. @ 1.20A            | 10V @ 2.40A  |
| APL-20-2400 | 48 | 20V C.T. @ 2.40A            | 10V @ 4.80A  |
| APL-24-100  | 2  | 24V C.T. @ 100mA            | 12V @ 200mA  |
| APL-24-250  | 6  | 24V C.T. @ 250mA            | 12V @ 500mA  |
| APL-24-500  | 12 | 24V C.T. @ 500mA            | 12V @ 1.00A  |
| APL-24-1000 | 24 | 24V C.T. @ 1.00A            | 12V @ 2.00A  |
| APL-24-2000 | 48 | 24V C.T. @ 2.00A            | 12V @ 4.00A  |
| APL-28-90   | 2  | 28V C.T. @ 90mA             | 14V @ 180mA  |
| APL-28-215  | 6  | 28V C.T. @ 215mA            | 14V @ 430mA  |
| APL-28-430  | 12 | 28V C.T. @ 430mA            | 14V @ 860mA  |
| APL-28-850  | 24 | 28V C.T. @ 850mA            | 14V @ 1.70A  |
| APL-28-1700 | 48 | 28V C.T. @ 1.70A            | 14V @ 3.40A  |
| APL-30-85   | 2  | 30V C.T. @ 85mA             | 15V @ 170mA  |
| APL-30-200  | 6  | 30V C.T. @ 200mA            | 15V @ 400mA  |
| APL-30-400  | 12 | 30V C.T. @ 400mA            | 15V @ 800mA  |
| APL-30-800  | 24 | 30V C.T. @ 800mA            | 15V @ 1.60A  |
| APL-30-1600 | 48 | 30V C.T. @ 1.60A            | 15V @ 3.20A  |
| APL-34-75   | 2  | 34V C.T. @ 75mA             | 17V @ 150mA  |
| APL-34-170  | 6  | 34V C.T. @ 170mA            | 17V @ 340mA  |
| APL-34-340  | 12 | 34V C.T. @ 340mA            | 17V @ 680mA  |
| APL-34-700  | 24 | 34V C.T. @ 700mA            | 17V @ 1.40A  |
| APL-34-1400 | 48 | 34V C.T. @ 1.40A            | 17V @ 2.80A  |
| APL-40-60   | 2  | 40V C.T. @ 60mA             | 20V @ 120mA  |
| APL-40-150  | 6  | 40V C.T. @ 150mA            | 20V @ 300mA  |
| APL-40-300  | 12 | 40V C.T. @ 300mA            | 20V @ 600mA  |
| APL-40-600  | 24 | 40V C.T. @ 600mA            | 20V @ 1.20A  |
| APL-40-1200 | 48 | 40V C.T. @ 1.20A            | 20V @ 2.40A  |
| APL-56-45   | 2  | 56V C.T. @ 45mA             | 28V @ 90mA   |
| APL-56-100  | 6  | 56V C.T. @ 100mA            | 28V @ 200mA  |
| APL-56-200  | 12 | 56V C.T. @ 200mA            | 28V @ 400mA  |
| APL-56-425  | 24 | 56V C.T. @ 425mA            | 28V @ 850mA  |
| APL-56-850  | 48 | 56V C.T. @ 850mA            | 28V @ 1.70A  |
| APL-88-28   | 2  | 88V C.T. @ 28mA             | 44V @ 56mA   |
| APL-88-65   | 6  | 88V C.T. @ 65mA             | 44V @ 130mA  |
| APL-88-130  | 12 | 88V C.T. @ 130mA            | 44V @ 260mA  |
| APL-120-20  | 2  | 120V C.T. @ 20mA            | 60V @ 40mA   |
| APL-120-50  | 6  | 120V C.T. @ 50mA            | 60V @ 100mA  |
| APL-120-100 | 12 | 120V C.T. @ 100mA           | 60V @ 200mA  |
| APL-230-10  | 2  | 230V C.T. @ 10mA            | 115V @ 20mA  |
| APL-230-25  | 6  | 230V C.T. @ 25mA            | 115V @ 50mA  |
| APL-230-50  | 12 | 230V C.T. @ 50mA            | 115V @ 100mA |