

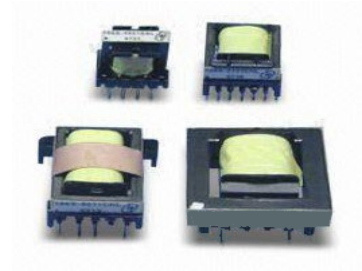
CEE SERIES

High Frequency Transformers



FEATURES:

- High Frequency Power Transformer
- High Frequency Switching Transformer
- Current Sensors
- Wide Variety of Other Sizes, and Values Available



Part Number

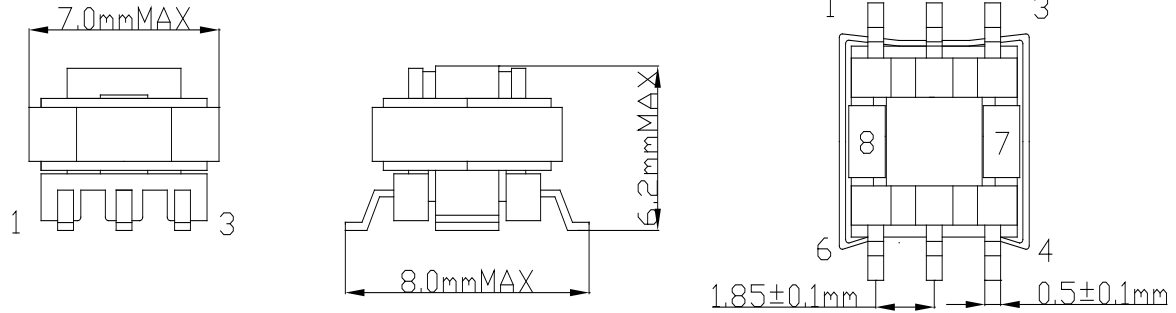
05SCEE - 121 1 A NL
A B C D E

- A : Series S:SMD/NO S:DIP
- B : Inductance
- C : Sequence id
- D : Schematics
- E : RoHS Version

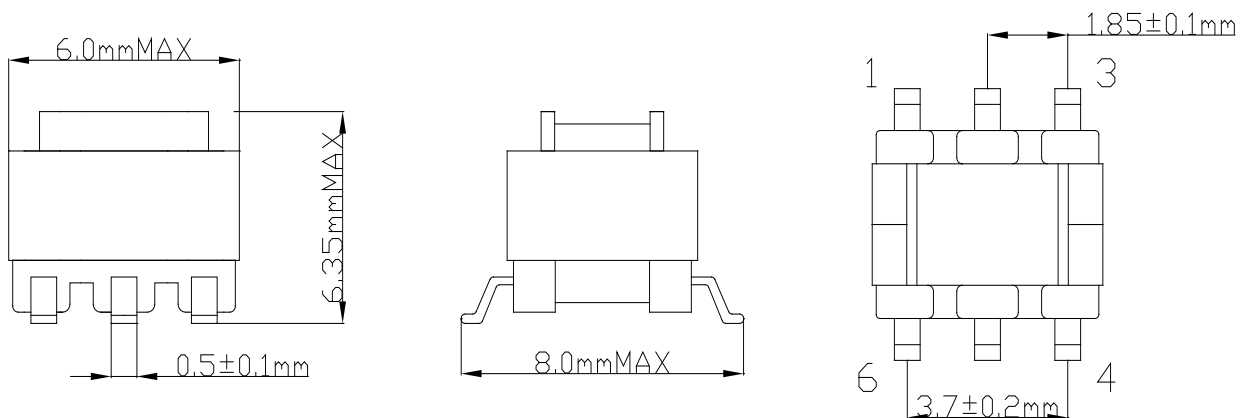
Mechanicals and Dimensions

05SCEE

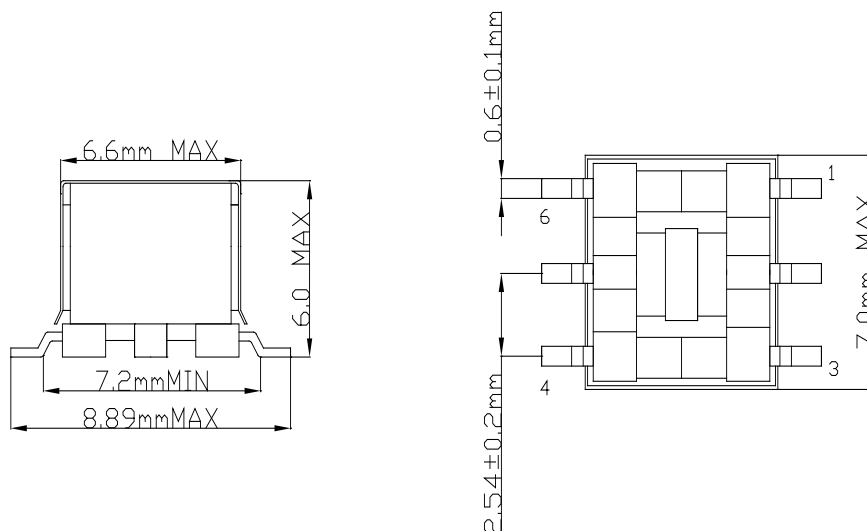
A



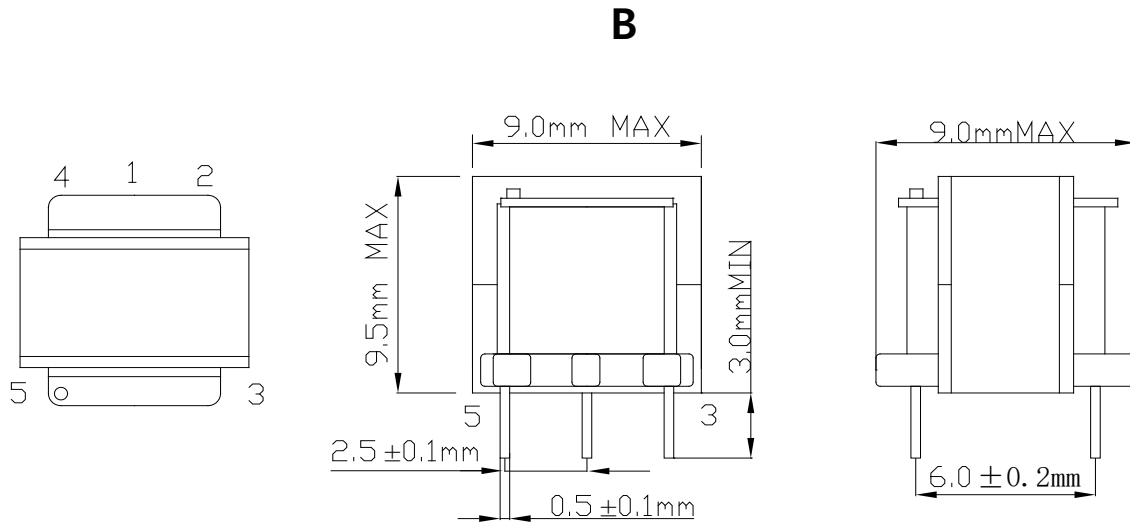
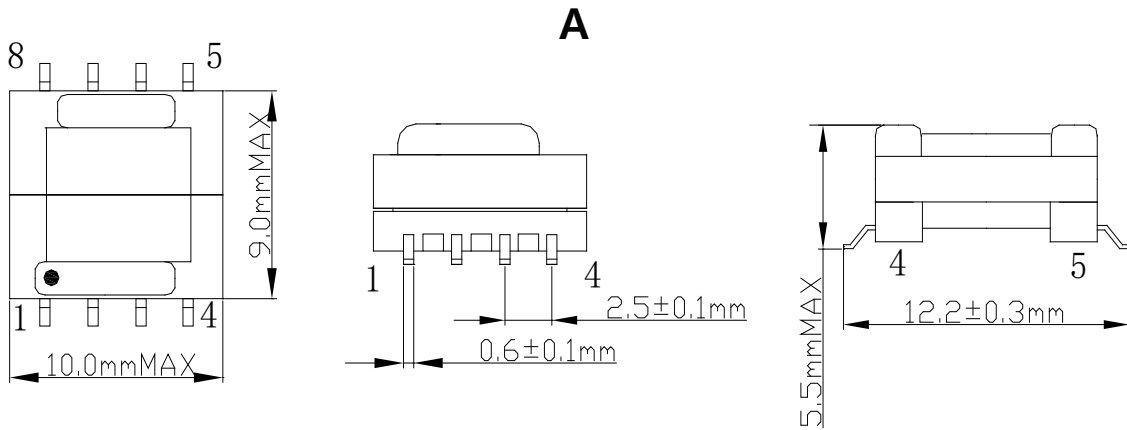
B



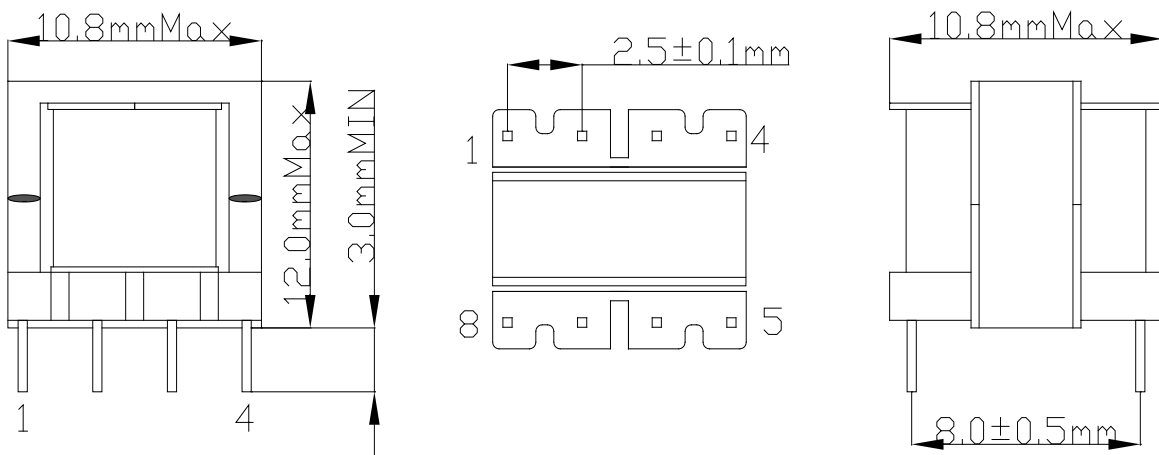
06SCEE



08SCEE/08CEE

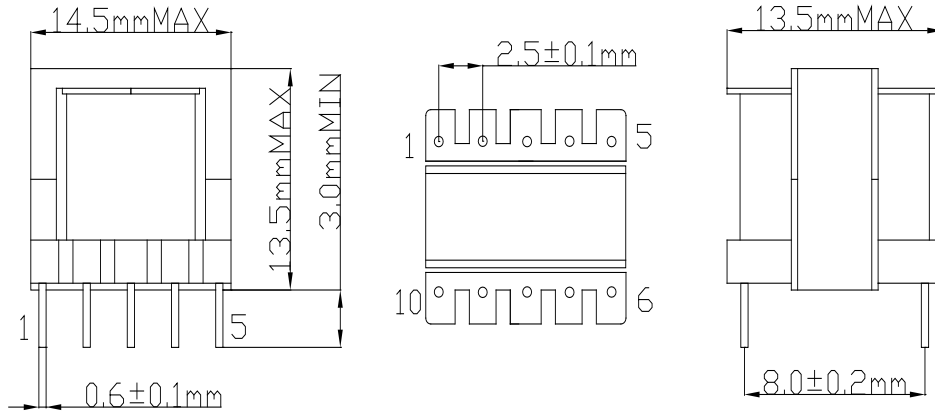


10CEE

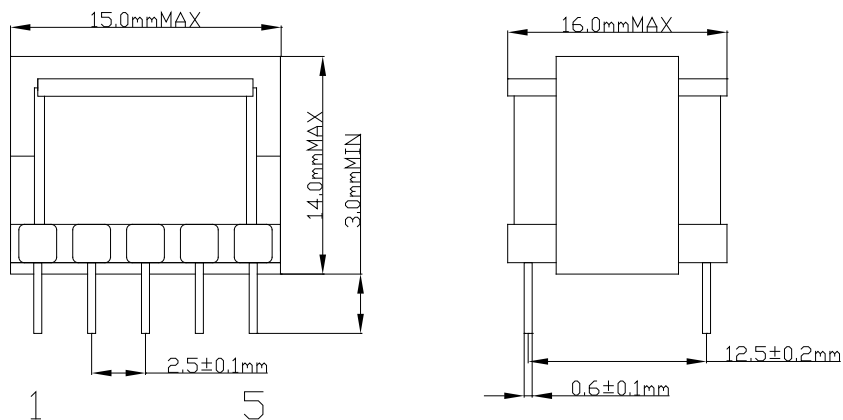


13CEE

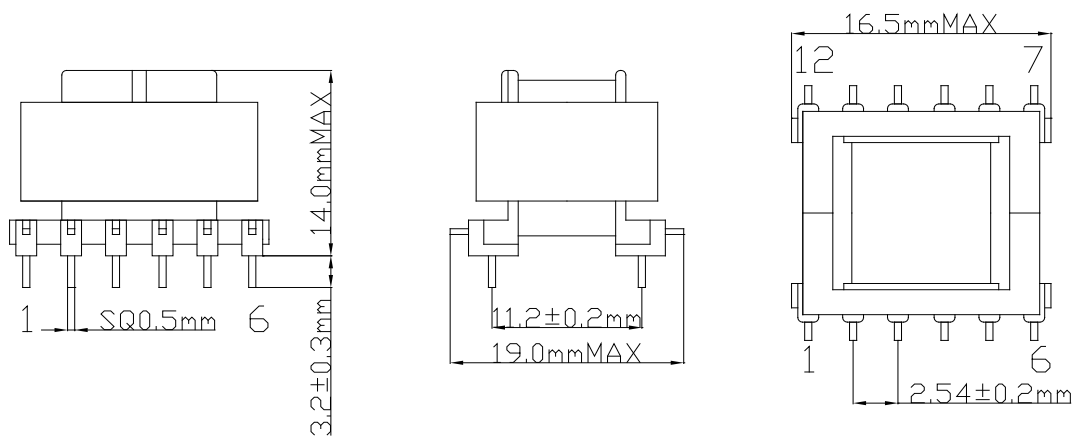
A



B



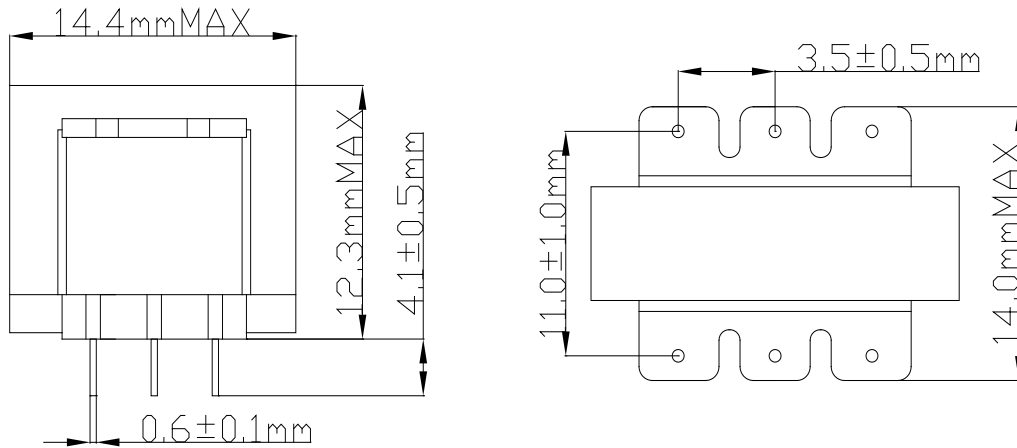
C



CEE SERIES

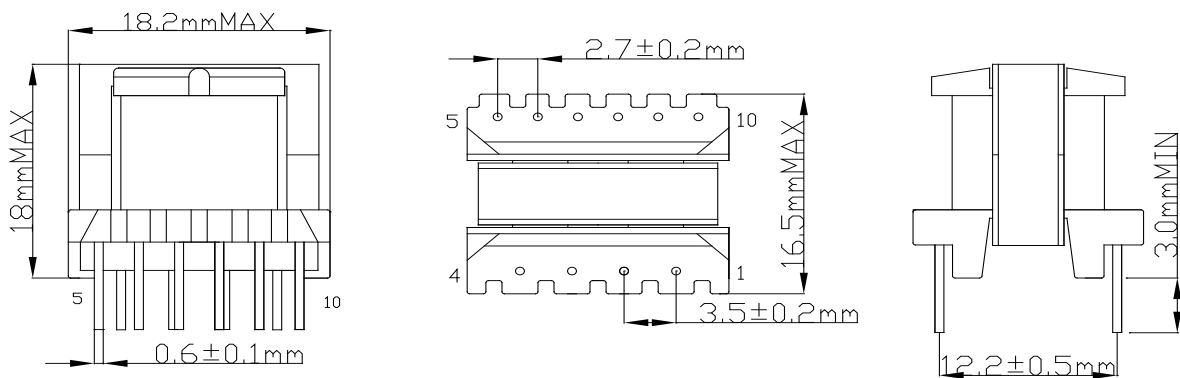
High Frequency Transformers

14CEE

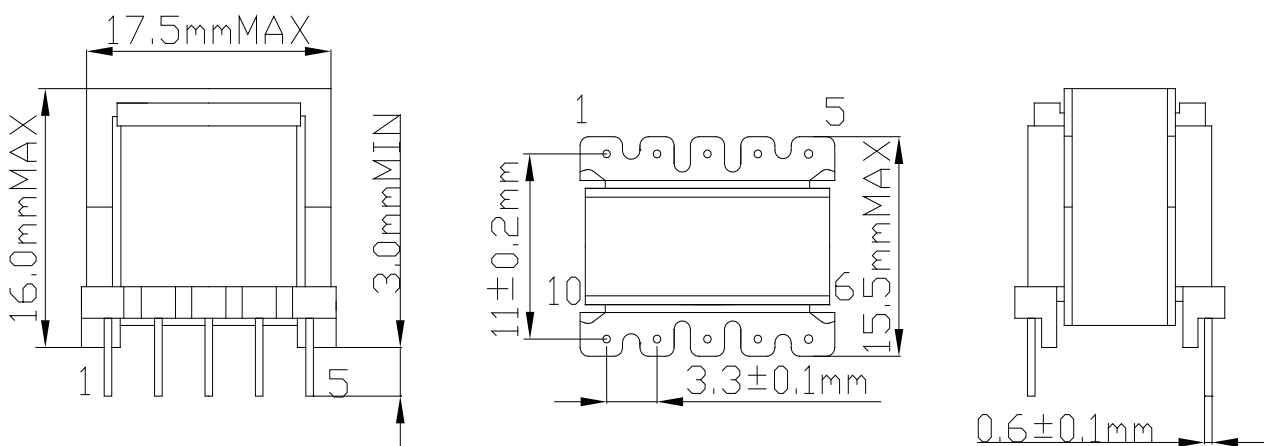


16CEE

A



B

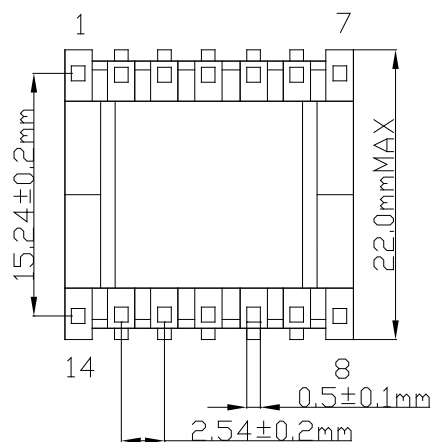
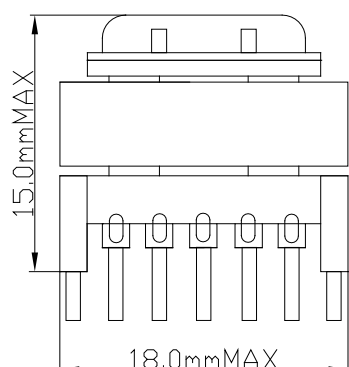


CEE SERIES

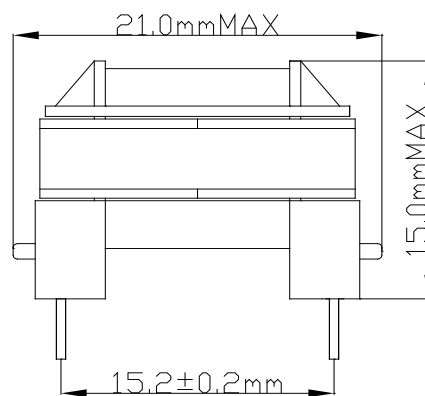
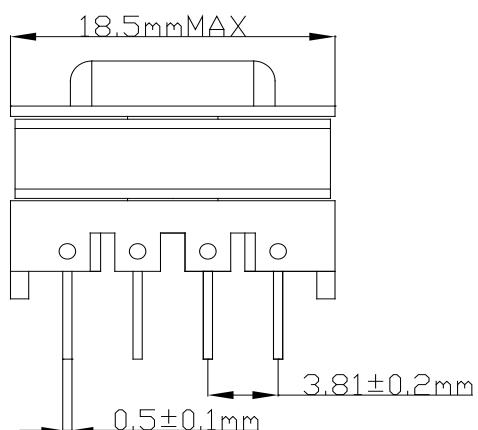
High Frequency Transformers

16CEE

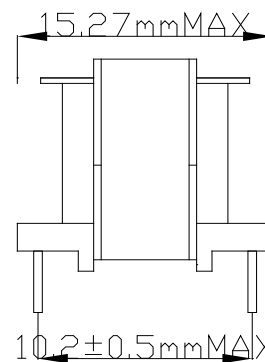
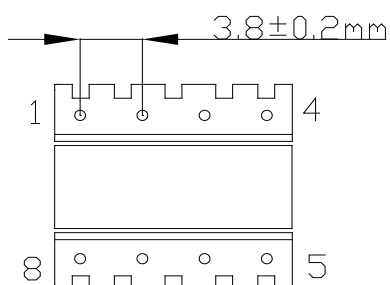
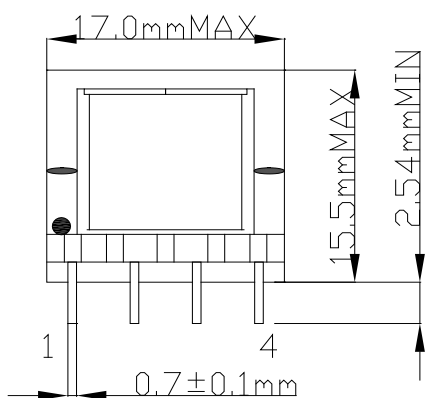
C



D

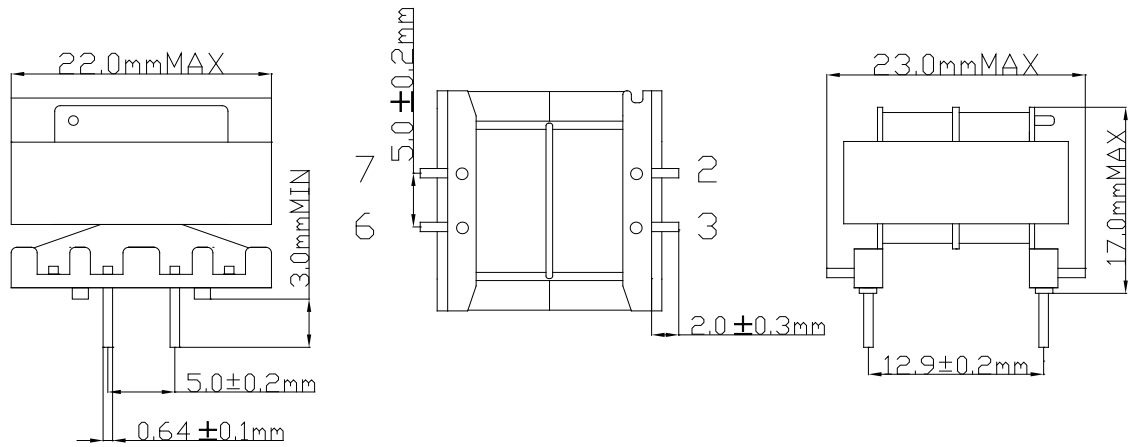


E

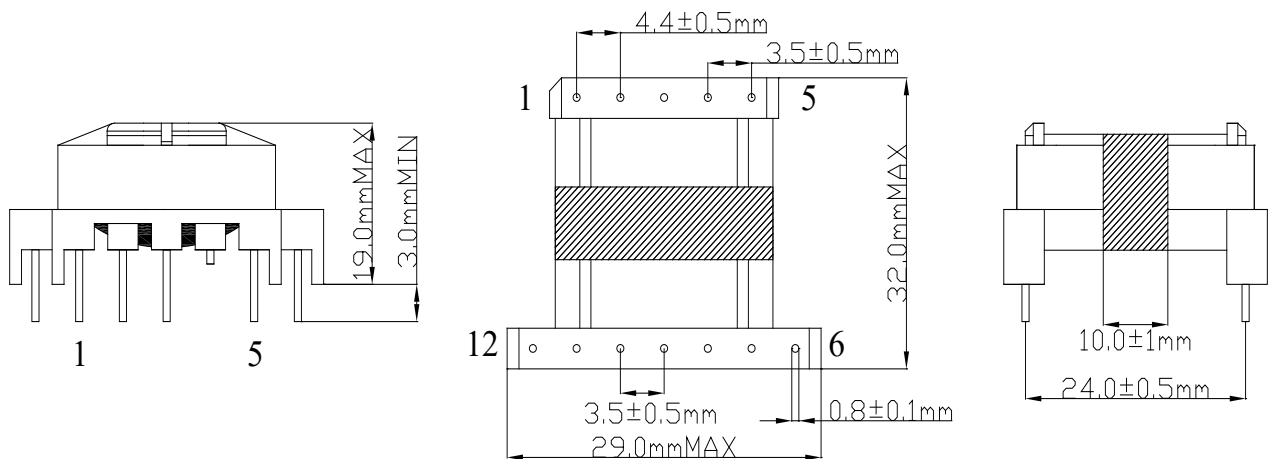


19CEE

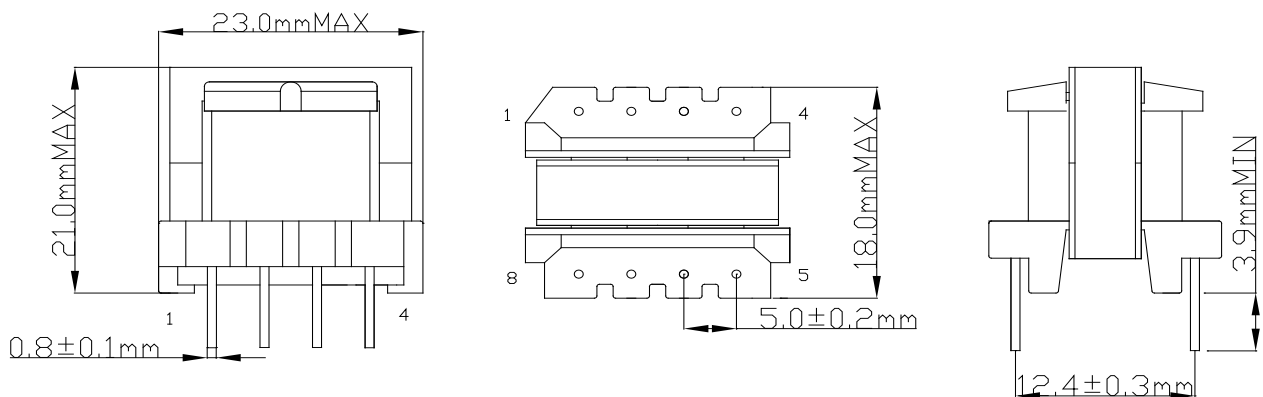
A



B

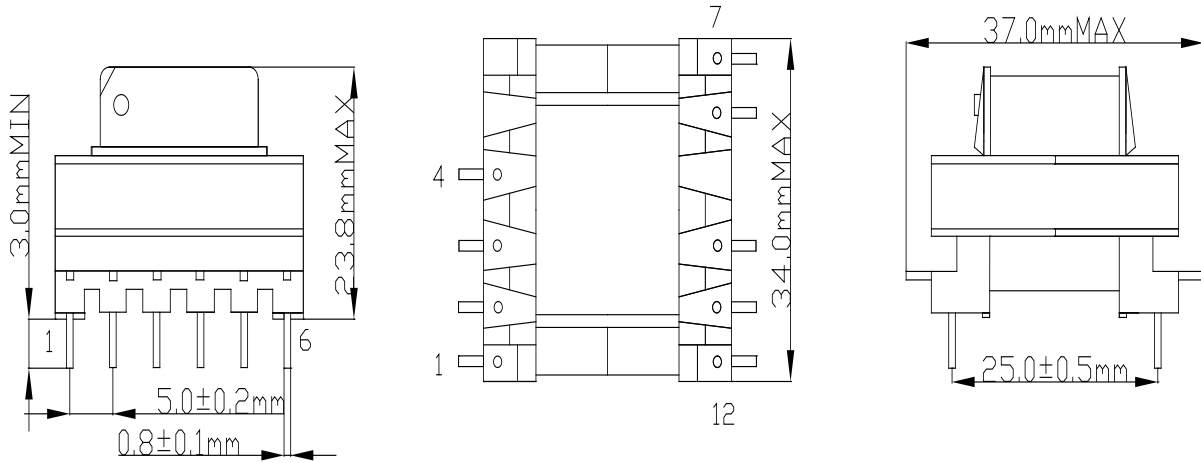


22CEE



30CEE

A



B

