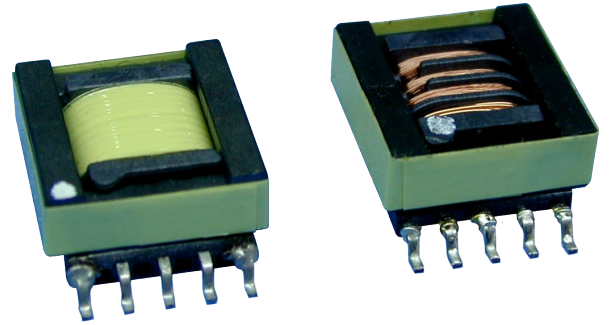


FEATURES:

- High Frequency Power Transformer
- High Frequency Switching Transformer
- Current Sensors
- Wide Variety of Other Size and Values Available



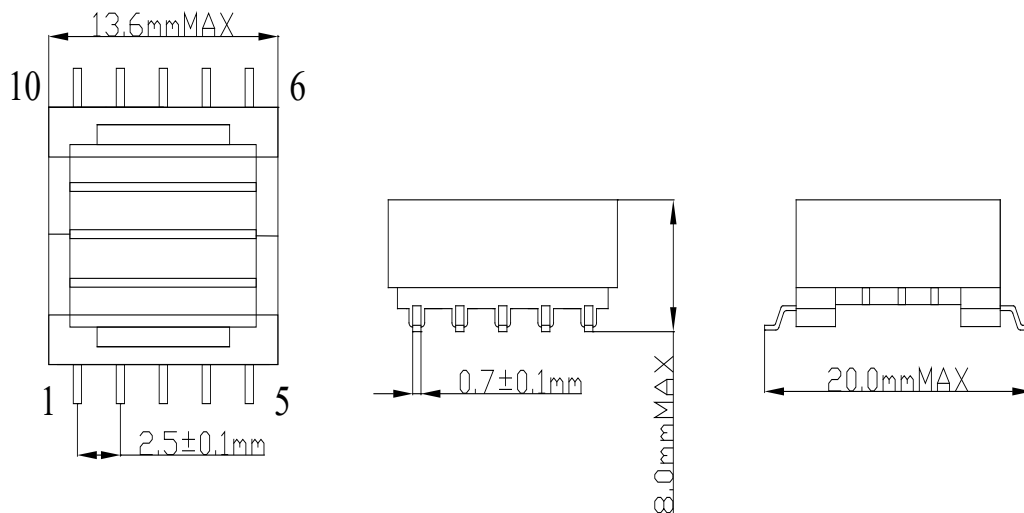
Part Number

13 S CEPC - 430 2 B NL
A B C D E

- A : Series S:SMD/NO S:DIP
- B : Inductance
- C : Sequence id
- D : Schematics
- E : RoHS Version

Mechanicals and Dimensions

A



B

