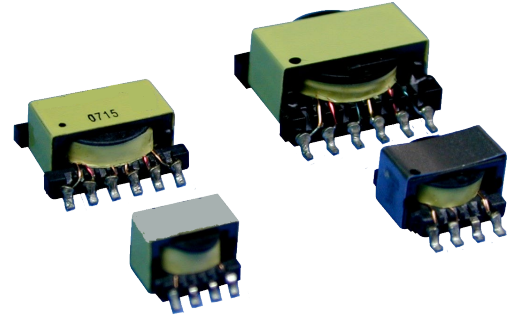


## FEATURES:

- High Frequency Power Transformer
- High Frequency Switching Transformer
- Inductors Transformer
- Wide Variety of Other Sizes and Values Available



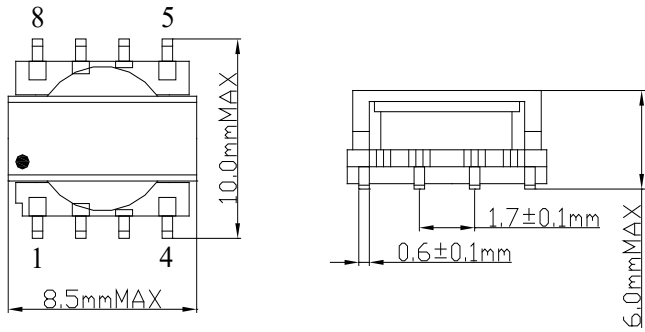
## Part Number

<u>07CER</u>	-	<u>142</u>	<u>1</u>	<u>C</u>	<u>NL</u>
A		B	C	D	E

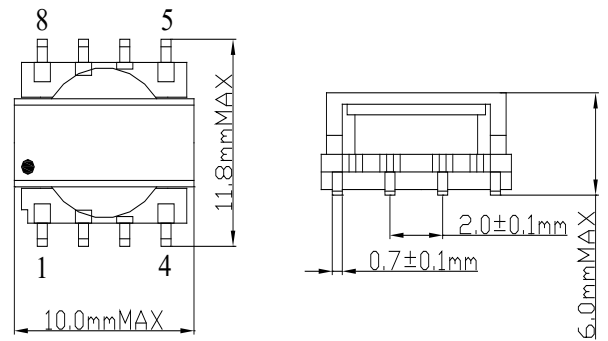
- A : Series
- B : Inductance
- C : Sequence id
- D : Schematics
- E : RoHS Version

## Mechanicals and Dimensions

### 07CER

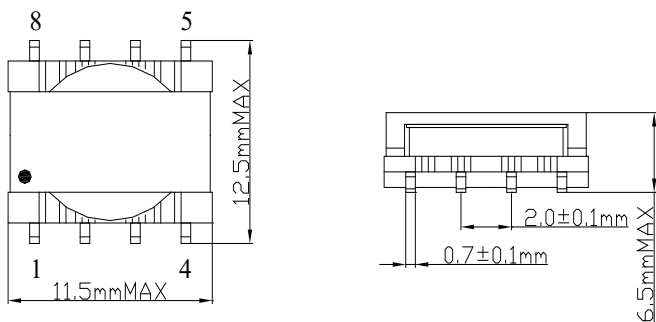


### 09CER

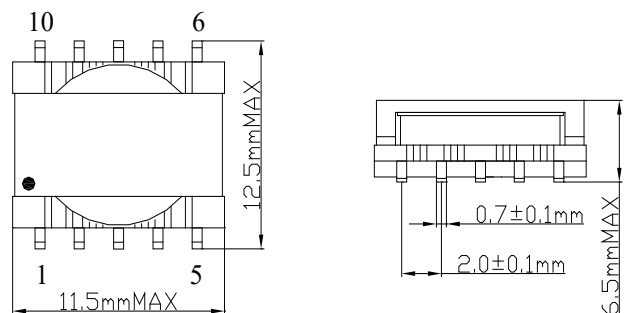


### 11CER

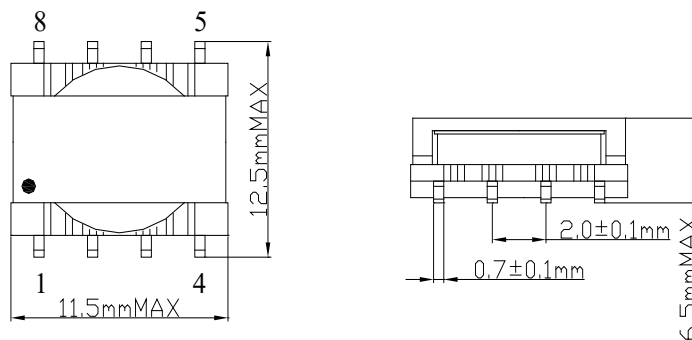
#### A



#### B



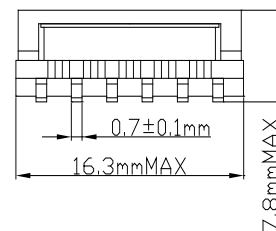
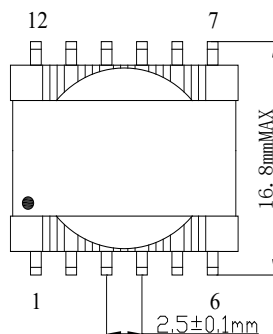
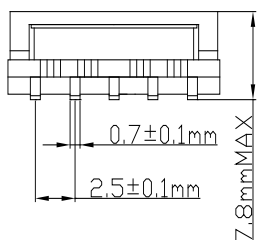
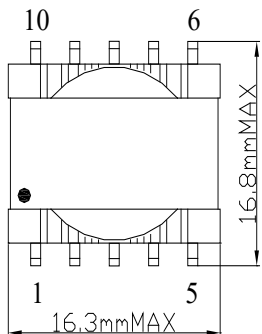
#### C



## 14CER

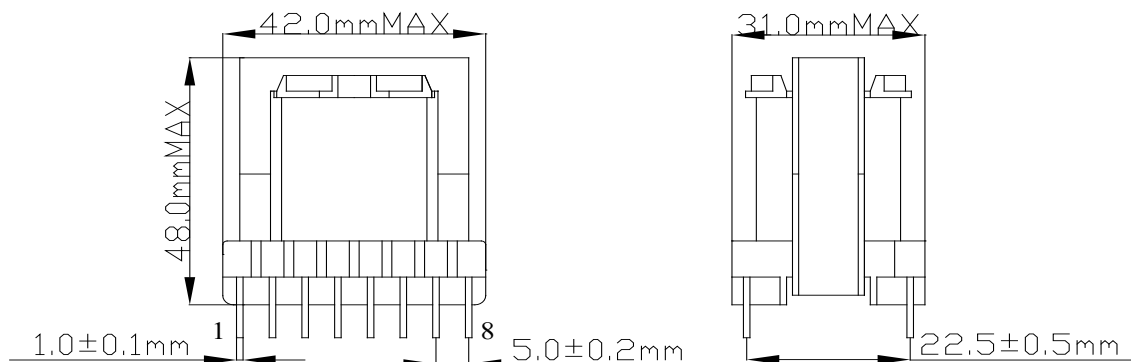
**A**

**B**



## 35CER

**A**



**B**

