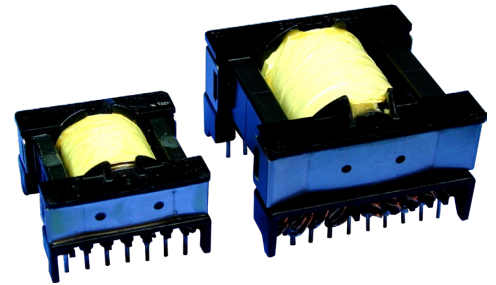


## FEATURES:

- High Frequency Power Transformer
- High Frequency Switching Transformer
- Current Sensors
- Wide Variety of Other Size and Values Available



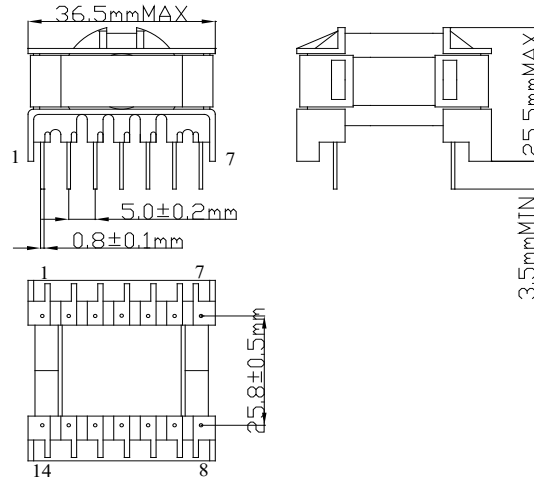
## Part Number

<u>29CETD</u>	-	<u>182</u>	<u>1</u>	<u>C</u>	<u>NL</u>
A		B	C	D	E

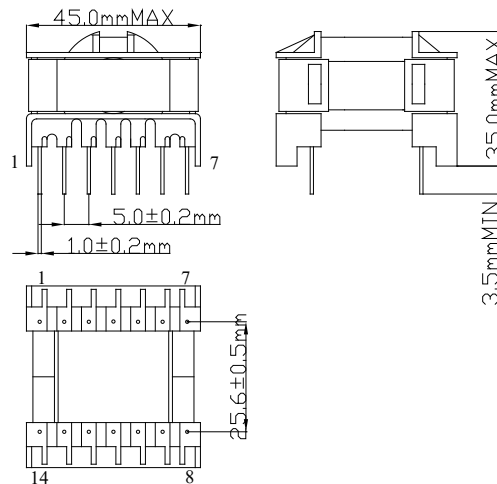
- A : Series
- B : Inductance
- C : Sequence id
- D : Schematics
- E : RoHS Version

## Mechanicals and Dimensions

### 29CETD



### 34CETD



### 49CETD

