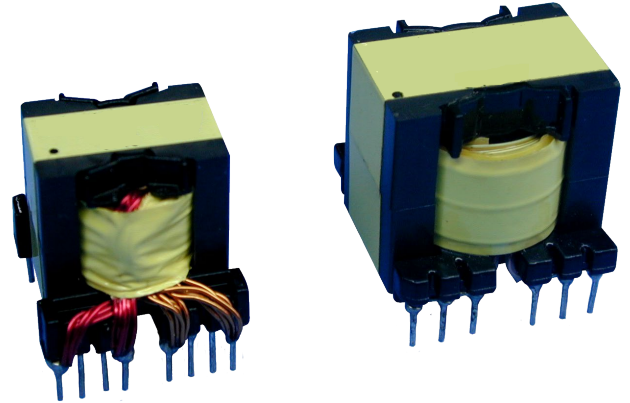


FEATURES:

- High Frequency Power Transformer
- High Frequency Switching Transformer
- Current Sensors
- Wide Variety of Other Size and Values Available



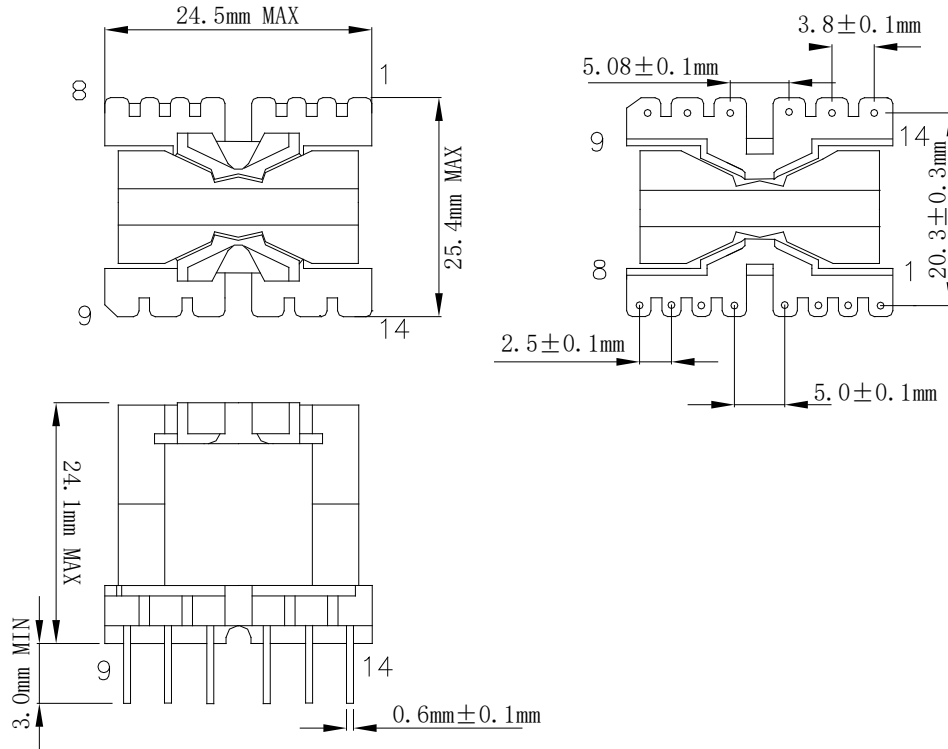
Part Number

<u>20CPQ</u>	-	<u>210</u>	<u>1</u>	<u>A</u>	<u>NL</u>
A		B	C	D	E

- A : Series
- B : Inductance
- C : Sequence id
- D : Schematics
- E : RoHS Version

Mechanicals and Dimensions

20CPQ



26CPQ

