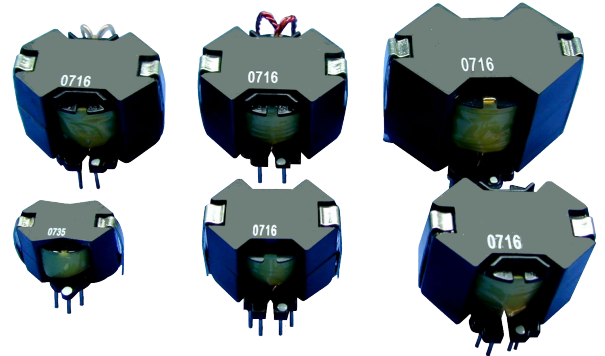


FEATURES:

- High Frequency Power Transformer
- High Frequency Switching Transformer
- Inductors Transformer
- Wide Variety of Other Size and Values Available



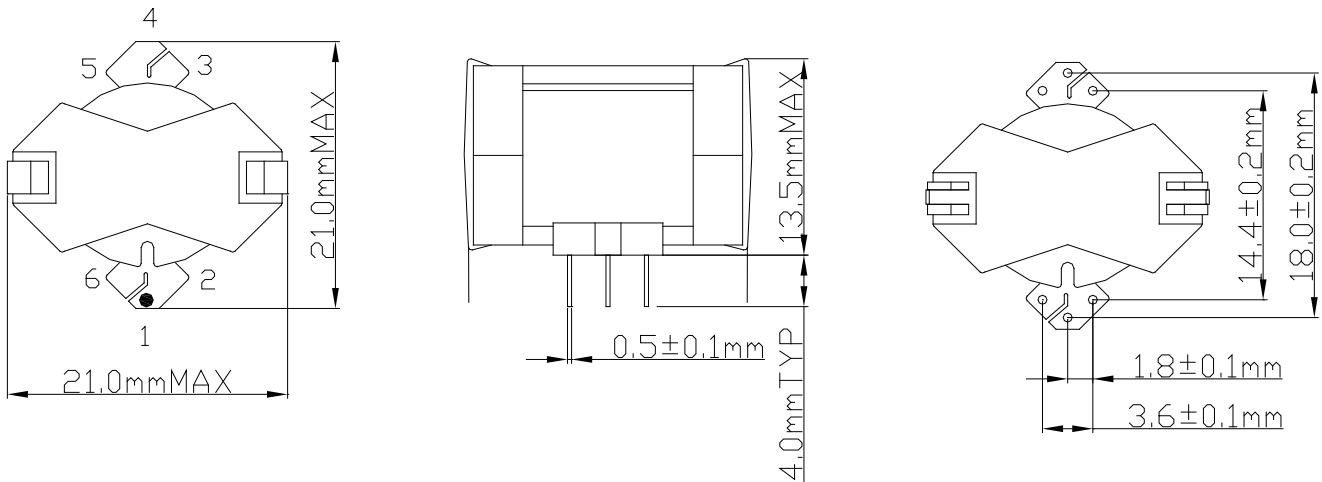
Part Number

06	CRM	-	152	1	H	NL
A			B	C	D	E
<p>A : Series S:SMD NO S:DIP</p> <p>B : Inductance</p> <p>C : Sequence id</p> <p>D : Schematics</p> <p>E : RoHS Version</p>						

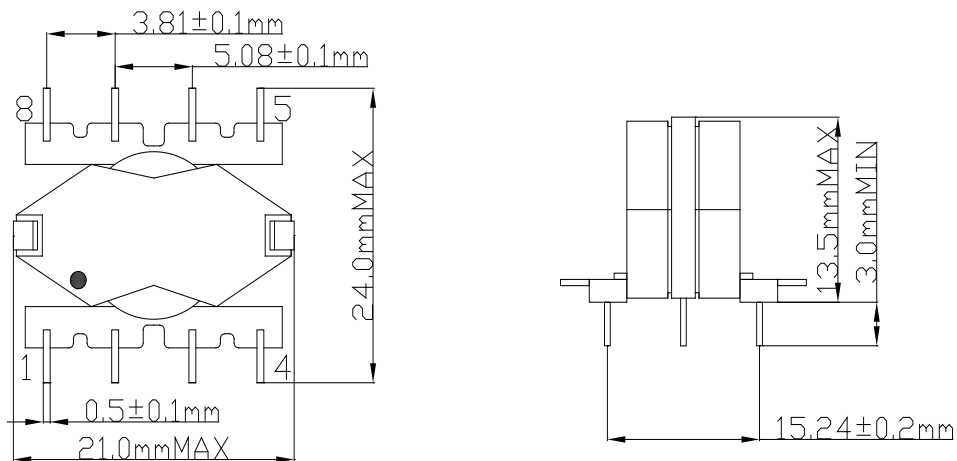
Mechanicals and Dimensions

06CRM

A



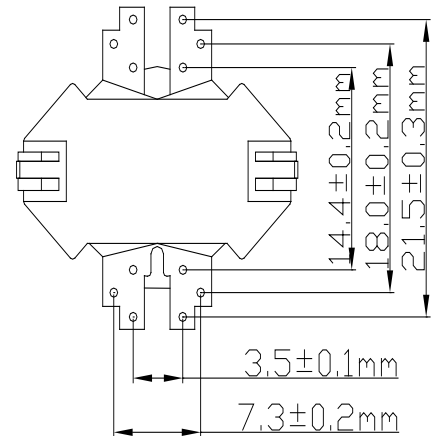
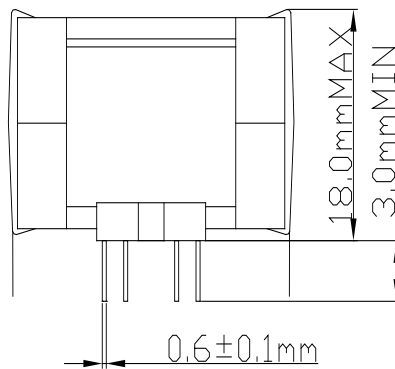
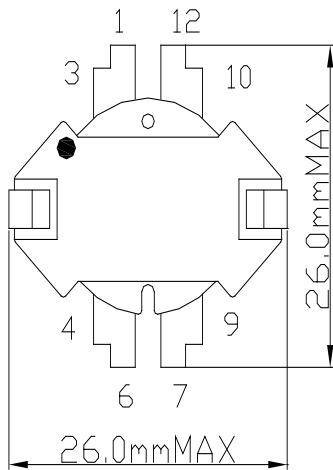
B



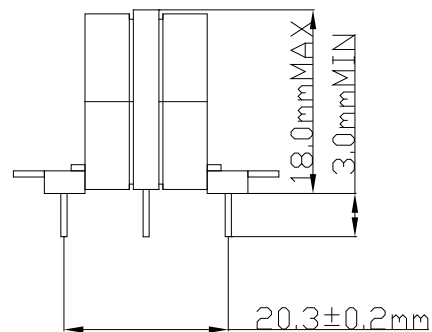
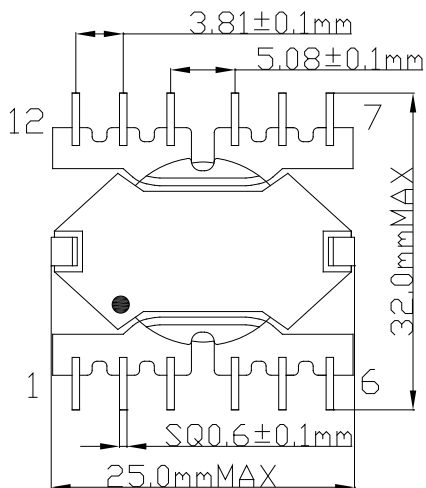
Mechanicals and Dimensions

08CRM

A

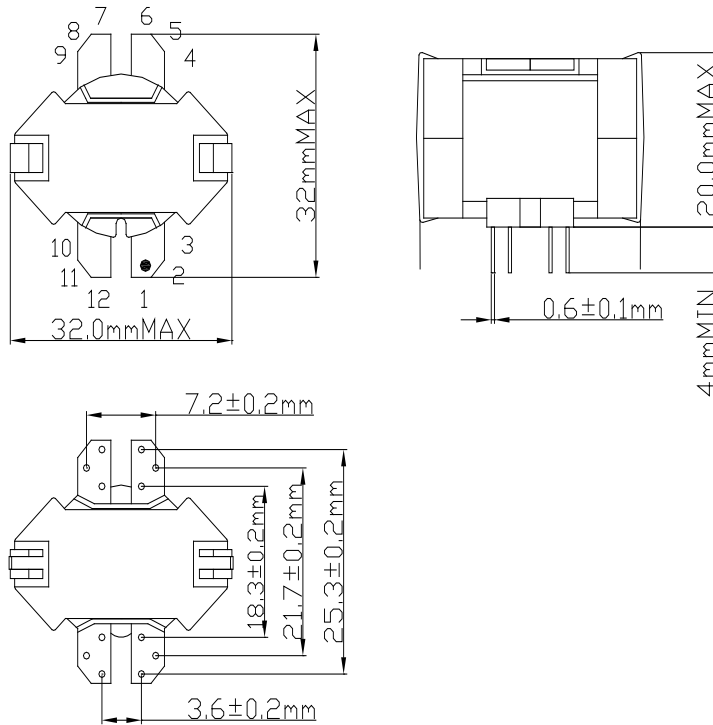


B



Mechanicals and Dimensions

10CRM



12CRM

