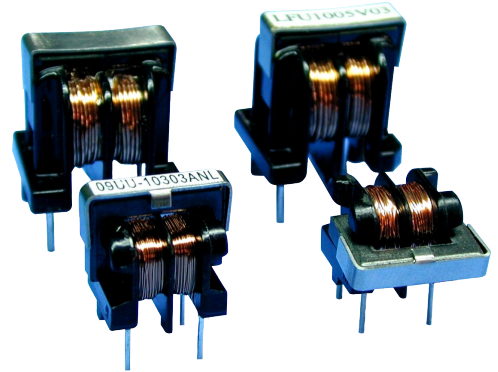


Description:

- Core mounted Horizontal or Vertical
- Hipot voltage : 2500Vrms
- Ferrite core material
- Custom designs available

Applications:

- Rate current @40°C TYP temperature rise
- Ideally used as common mode noise filter for TV,VCR, Switching power supply, NC machine, PC&PC related advice, measurement and control unit



Other:

- Operating temperature range: -40°C to +85°C
- Storage temperature range: -55°C to +125°C

**Common Mode Inductors
/ Line Filter / EMI Filter**



Part Number

09CUU	-	223	1	A	NL
A		B	C	D	E

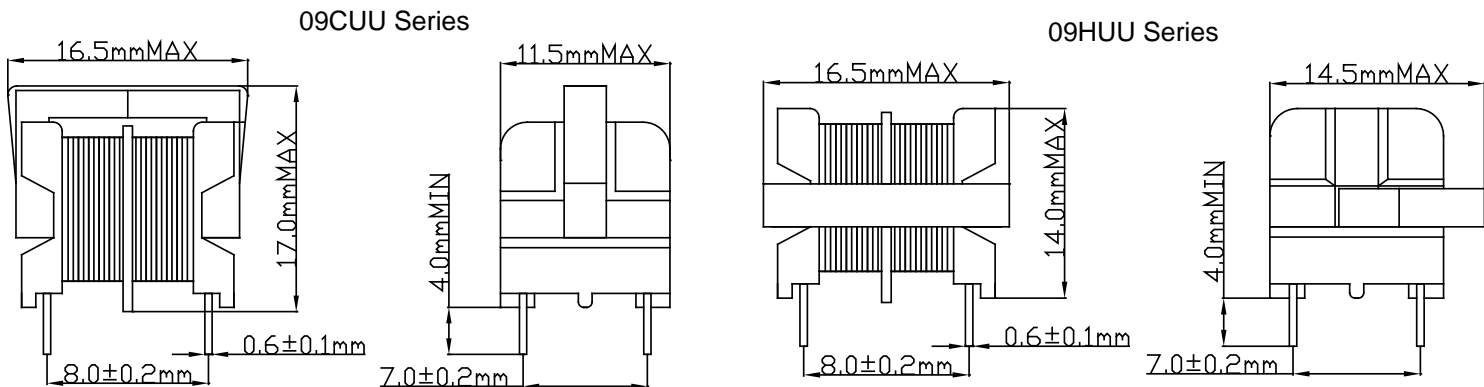
- A : Series
- B : Inductance
- C : Sequence id
- D : Schematics
- E : RoHS Version

09CUU Series

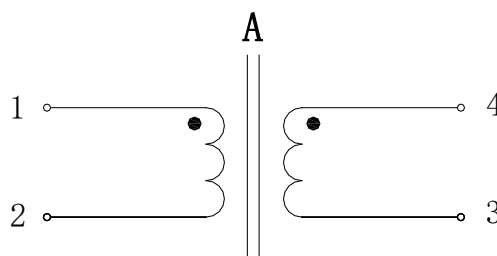
Part Number	L ① (mH MIN)	I _{rms} ② (mA MAX)	DCR ③ (Ohms MAX)	Core ④ Mounted
09CUU-1011ANL	0.1	3000	0.03	V/H
09CUU-2011ANL	0.2	2000	0.06	V/H
09CUU-5011ANL	0.5	1500	0.12	V/H
09CUU-9011ANL	0.9	1300	0.16	V/H
09CUU-1021ANL	1.0	1200	0.22	V/H
09CUU-1521ANL	1.5	1000	0.30	V/H
09CUU-2221ANL	2.2	850	0.40	V/H
09CUU-3321ANL	3.3	700	0.50	V/H
09CUU-4721ANL	4.7	500	1.60	V/H
09CUU-5621ANL	5.6	450	0.75	V/H
09CUU-1031ANL	10	350	1.4	V/H
09CUU-1531ANL	15	300	2.30	V/H
09CUU-2231ANL	22	250	3.7	V/H
09CUU-2232ANL	22	300	2.50	V/H
09CUU-3331ANL	33	200	4.95	V/H
09CUU-4731ANL	47	150	6.9	V/H

- ① Measure at 1KHz/0.1V
- ② MAX current: The DC current at which the temperature rise is $\Delta t = 40^{\circ}\text{CTYP}$ ($T_a = 25^{\circ}\text{C}$)
- ③ Maximum DC Resistance of each winding
- ④ Appearance of Vertical and Horizontal

Mechanicals and Dimensions



Schematics

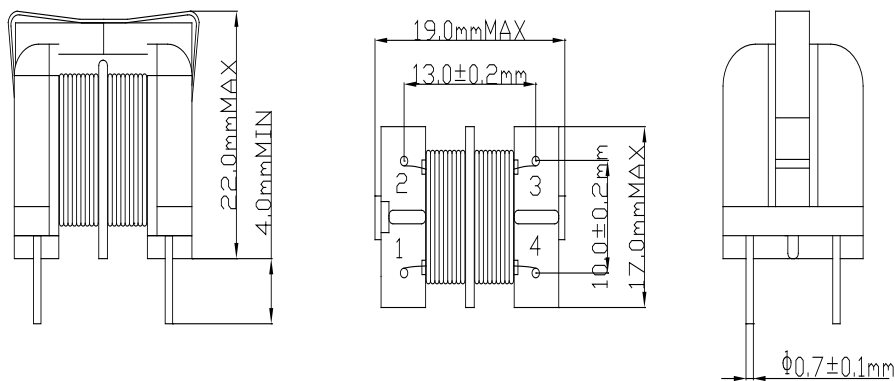


10CUU Series

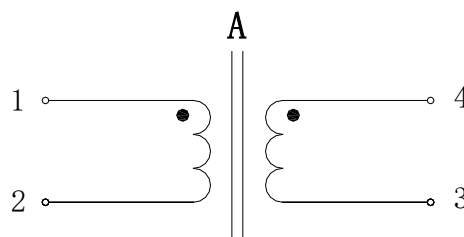
Part Number	L ① (mH MIN)	Idc ② (mA MAX)	DCR ③ (Ohms MAX)	Core ④ Mounted
10CUU-6011ANL	0.6	3000	0.06	V
10CUU-1021ANL	1.0	2200	0.1	V
10CUU-1721ANL	1.7	1700	0.15	V
10CUU-2021ANL	2.0	1600	0.16	V
10CUU-2221ANL	2.2	1500	0.19	V
10CUU-3021ANL	3.0	1300	0.23	V
10CUU-3521ANL	3.5	1200	0.3	V
10CUU-4021ANL	4.0	1100	0.35	V
10CUU-5521ANL	5.5	1000	0.45	V
10CUU-7421ANL	7.4	800	0.55	V
10CUU-1033ANL	10	700	0.77	V
10CUU-1232ANL	12	600	0.95	V
10CUU-1931ANL	19	500	1.5	V
10CUU-2031ANL	20	500	1.55	V
10CUU-3031ANL	30	400	2.7	V
10CUU-4331ANL	43	300	3.9	V
10CUU-4531ANL	45	300	4.0	V

- ① Measure at 1KHz/0.1V
- ② MAX current: The DC current at which the temperature rise is $\Delta t = 40^{\circ}\text{CTYP}$ ($T_a = 25^{\circ}\text{C}$)
- ③ Maximum DC Resistance of each winding
- ④ Appearance of Vertical

Mechanicals and Dimensions



Schematics

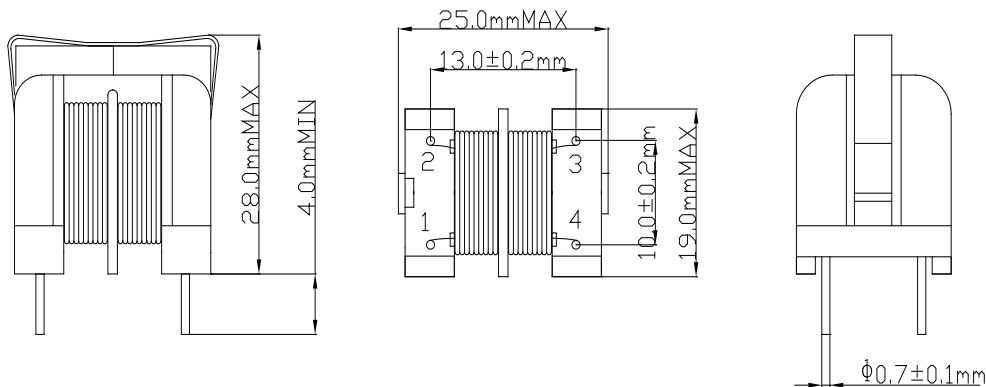


16CUU Series

Part Number	L ① (mH MIN)	Idc ② (mA MAX)	DCR ③ (Ohms MAX)	Core ④ Mounted
16CUU-6011ANL	0.6	4400	0.04	V
16CUU-1021ANL	1.0	3600	0.05	V
16CUU-2021ANL	2.0	2900	0.09	V
16CUU-5021ANL	5.0	2300	0.19	V
16CUU-8021ANL	8.0	1600	0.35	V
16CUU-1031ANL	10	1500	0.38	V
16CUU-2031ANL	20	1000	0.75	V
16CUU-3031ANL	30	800	1.25	V
16CUU-4531ANL	45	700	1.75	V

- ① Measure at 1KHz/0.1V
- ② MAX current: The DC current at which the temperature rise is $\Delta t = 40^{\circ}\text{CTYP}$ ($T_a = 25^{\circ}\text{C}$)
- ③ Maximum DC Resistance of each winding
- ④ Appearance of Vertical

Mechanicals and Dimensions



Schematics

