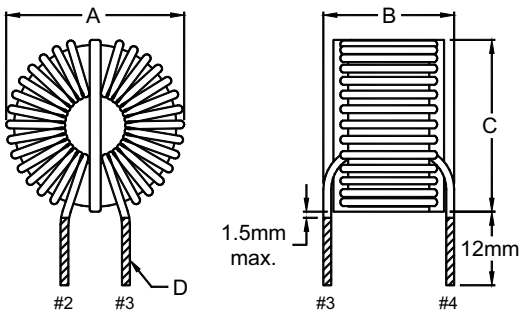
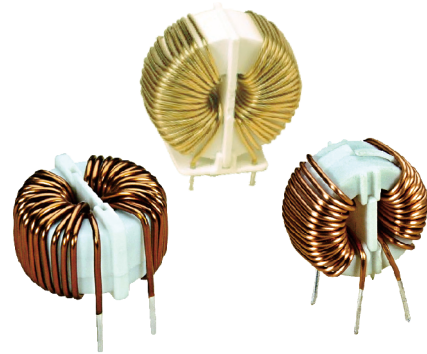


Common Mode Choke

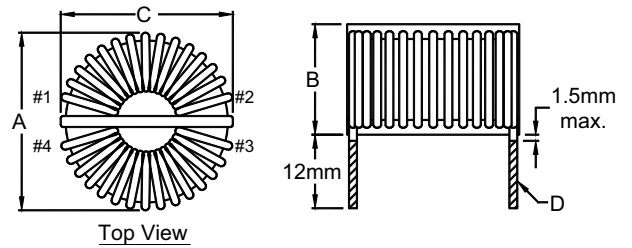
CASN54 Series



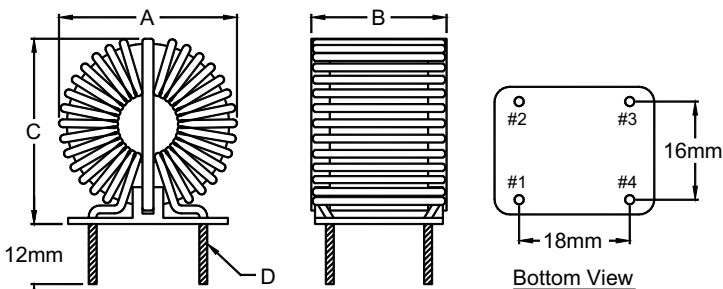
Horizontal & Vertical Type
 Core enclosed with plastic case.
 Six different standard case sizes
 Operation temperature range -40°C to $+125^{\circ}\text{C}$
 Dielectric Strength 2000Vrms
 Custom-made inductors are available on request.



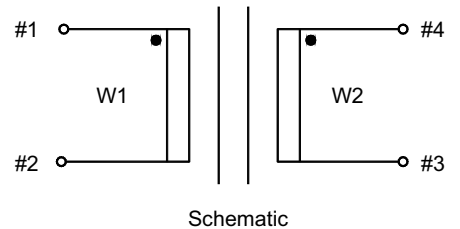
TYPE A (Vertical)



TYPE B (Horizontal)



TYPE C (Vertical with base)



Schematic

Note: Vertical with base plate (Type C) is not available for ASN54-1, ASN54-2 & ASN54-3 series.

Common Mode Choke

CASN54 Series



Part Number	Inductance (mH, $\pm 30\%$) #1 - #2, #4 - #3	DC Resistance (m Ω , Max.) #1 - #2, #4 - #3	Irms (Amps)	Dimension (nominal value, in mm)				Type
				A	B	C	D	
CASN54-1A-001	1.28	160	0.5	14.0	12.4	7.8	Ø0.31	A
CASN54-1A-002	0.99	110	0.8	14.0	12.4	7.8	Ø0.35	A
CASN54-1A-003	0.46	65	1.0	14.0	12.4	7.8	Ø0.40	A
CASN54-1A-004	0.204	30	1.5	14.0	12.4	7.8	Ø0.50	A
CASN54-1A-005	0.073	18	2.0	14.0	12.4	7.8	Ø0.55	A
CASN54-1B-001	1.28	160	0.5	14.0	12.4	7.8	Ø0.31	B
CASN54-1B-002	0.99	110	0.8	14.0	12.4	7.8	Ø0.35	B
CASN54-1B-003	0.46	65	1.0	14.0	12.4	7.8	Ø0.40	B
CASN54-1B-004	0.204	30	1.5	14.0	12.4	7.8	Ø0.50	B
CASN54-1B-005	0.073	18	2.0	14.0	12.4	7.8	Ø0.55	B
CASN54-2A-001	1.35	120	1.0	16.0	12.5	14.5	Ø0.37	A
CASN54-2A-002	1.05	90	1.0	16.0	12.5	14.5	Ø0.40	A
CASN54-2A-003	0.93	70	1.5	16.0	12.5	14.5	Ø0.45	A
CASN54-2A-004	0.80	50	1.5	16.0	12.5	14.5	Ø0.50	A
CASN54-2A-005	0.34	25	2.0	16.0	12.5	14.5	Ø0.60	A
CASN54-2B-001	1.35	120	1.0	16.0	12.5	14.5	Ø0.37	B
CASN54-2B-002	1.05	90	1.0	16.0	12.5	14.5	Ø0.40	B
CASN54-2B-003	0.93	70	1.5	16.0	12.5	14.5	Ø0.45	B
CASN54-2B-004	0.80	50	1.5	16.0	12.5	14.5	Ø0.50	B
CASN54-2B-005	0.34	25	2.0	16.0	12.5	14.5	Ø0.60	B
CASN54-3A-001	5.3	290	1.0	20.0	16.0	20.0	Ø0.40	A
CASN54-3A-002	4.4	210	1.5	20.0	16.0	20.0	Ø0.45	A
CASN54-3A-003	3.8	165	1.5	20.0	16.0	20.0	Ø0.50	A
CASN54-3A-004	2.6	90	2.0	20.0	16.0	20.0	Ø0.60	A
CASN54-3A-005	1.9	60	3.0	20.0	16.0	20.0	Ø0.70	A
CASN54-3B-001	5.3	290	1.0	20.0	16.0	20.0	Ø0.40	B
CASN54-3B-002	4.4	210	1.5	20.0	16.0	20.0	Ø0.45	B
CASN54-3B-003	3.8	165	1.5	20.0	16.0	20.0	Ø0.50	B
CASN54-3B-004	2.6	90	2.0	20.0	16.0	20.0	Ø0.60	B
CASN54-3B-005	1.9	60	3.0	20.0	16.0	20.0	Ø0.70	B
CASN54-4A-001	10.8	115	3.0	30.0	22.0	29.0	Ø0.7	A
CASN54-4A-002	7.4	60	4.0	30.0	22.0	29.0	Ø0.9	A
CASN54-4A-003	4.7	40	5.0	31.0	22.0	29.0	Ø1.0	A
CASN54-4A-004	2.5	20	10	32.0	22.0	29.0	Ø1.2	A
CASN54-4A-005	0.7	10	12	32.0	22.0	29.0	Ø1.4	A
CASN54-4B-001	10.8	115	3.0	30.0	22.0	29.0	Ø0.7	B
CASN54-4B-002	7.4	60	4.0	30.0	22.0	29.0	Ø0.9	B
CASN54-4B-003	4.7	40	5.0	31.0	22.0	29.0	Ø1.0	B
CASN54-4B-004	2.5	20	10	32.0	22.0	29.0	Ø1.2	B
CASN54-4B-005	0.7	10	12	32.0	22.0	29.0	Ø1.4	B
CASN54-4C-001	10.8	115	3.0	30.0	22.0	31.0	Ø0.7	C
CASN54-4C-002	7.4	60	4.0	30.0	22.0	31.0	Ø0.9	C
CASN54-4C-003	4.7	40	5.0	31.0	22.0	31.0	Ø1.0	C
CASN54-4C-004	2.5	20	10	32.0	22.0	31.0	Ø1.2	C
CASN54-4C-005	0.7	10	12	32.0	22.0	31.0	Ø1.4	C

Common Mode Choke

CASN54 Series



Part Number	Inductance (mH, ?0%) #1 - #2, #4 - #3	DC Resistance (mΩ, Max.) #1 - #2, #4 - #3	I _{rms} (Amps)	Dimension (nominal value, in mm)				Type
				A	B	C	D	
CASN54-5A-001	11.5	100	4.0	36.0	23.0	35.5	Ø0.8	A
CASN54-5A-002	8.0	55	5.0	36.0	23.0	35.5	Ø1.0	A
CASN54-5A-003	6.0	35	10	37.0	23.0	35.5	Ø1.2	A
CASN54-5A-004	2.9	18	12	38.0	23.0	35.5	Ø1.4	A
CASN54-5A-005	1.1	10	16	38.0	23.0	35.5	Ø1.6	A
CASN54-5B-001	11.5	100	4.0	36.0	23.0	35.5	Ø0.8	B
CASN54-5B-002	8.0	55	5.0	36.0	23.0	35.5	Ø1.0	B
CASN54-5B-003	6.0	35	10	37.0	23.0	35.5	Ø1.2	B
CASN54-5B-004	2.9	18	12	38.0	23.0	35.5	Ø1.4	B
CASN54-5B-005	1.1	10	16	38.0	23.0	35.5	Ø1.6	B
CASN54-5C-001	11.5	100	4.0	36.0	23.0	38.0	Ø0.8	C
CASN54-5C-002	8.0	55	5.0	36.0	23.0	38.0	Ø1.0	C
CASN54-5C-003	6.0	35	10	37.0	23.0	38.0	Ø1.2	C
CASN54-5C-004	2.9	18	12	38.0	23.0	38.0	Ø1.4	C
CASN54-5C-005	1.1	10	16	38.0	23.0	38.0	Ø1.6	C
CASN54-6A-001	5.8	35	10	44.5	22.5	42.5	Ø1.2	A
CASN54-6A-002	3.0	20	12	45.0	23.0	42.5	Ø1.4	A
CASN54-6A-003	1.34	10	16	46.0	23.5	42.5	Ø1.6	A
CASN54-6A-004	0.60	6	20	46.0	24.0	42.5	Ø1.8	A
CASN54-6A-005	0.46	3	25	49.0	25.0	42.5	Ø2.0	A
CASN54-6B-001	1.82	20	10	44.5	22.5	42.5	Ø1.2	B
CASN54-6B-002	1.13	12	12	45.0	23.0	42.5	Ø1.4	B
CASN54-6B-003	0.93	8	16	46.0	23.5	42.5	Ø1.6	B
CASN54-6B-004	0.60	6	20	46.0	24.0	42.5	Ø1.8	B
CASN54-6B-005	0.46	3	25	49.0	25.0	42.5	Ø2.0	B
CASN54-6C-001	5.8	35	10	44.5	22.5	42.5	Ø1.2	C
CASN54-6C-002	3.0	20	12	45.0	23.0	42.5	Ø1.4	C
CASN54-6C-003	1.34	10	16	46.0	23.5	42.5	Ø1.6	C
CASN54-6C-004	0.60	6	20	46.0	24.0	42.5	Ø1.8	C
CASN54-6C-005	0.46	3	25	49.0	25.0	42.5	Ø2.0	C