

CURRENT-COMPENSATED FRAME CORE DOUBLE CHOKES CM16V1,V2,H SERIES



FEATURES

Rated voltage 250 VAC.
 Rated current 0.3A to 3A.
 Rated inductance 1.2mH to 68 mH.
 Turns ratio: N1:N2=1:1±2%.
 Hi-Pot: Pri-Sec:1500VAC/5mA/2Seconds.
 Test Frequency Response:10KHz,100mV.
 Inductance tolerance: +50/-30% at 20°C.
 Operating temperature: -40°C to +105°C.
 All parts meet ROHS compliance.

PRODUCT IDENTIFICATION

$\frac{CM}{a} \frac{16}{b} \frac{V1}{c} \frac{473}{d} \frac{Y}{e} \frac{OR5}{f} \frac{E}{g}$

a: Common mode

b: Size

c: \bar{e} Vertical Install shape, \bar{H} Horizontal Install shape

d: Inductance Value [101:100uH;102:1000uH;103:10000uH]

e: Inductance tolerance: +50/-30%

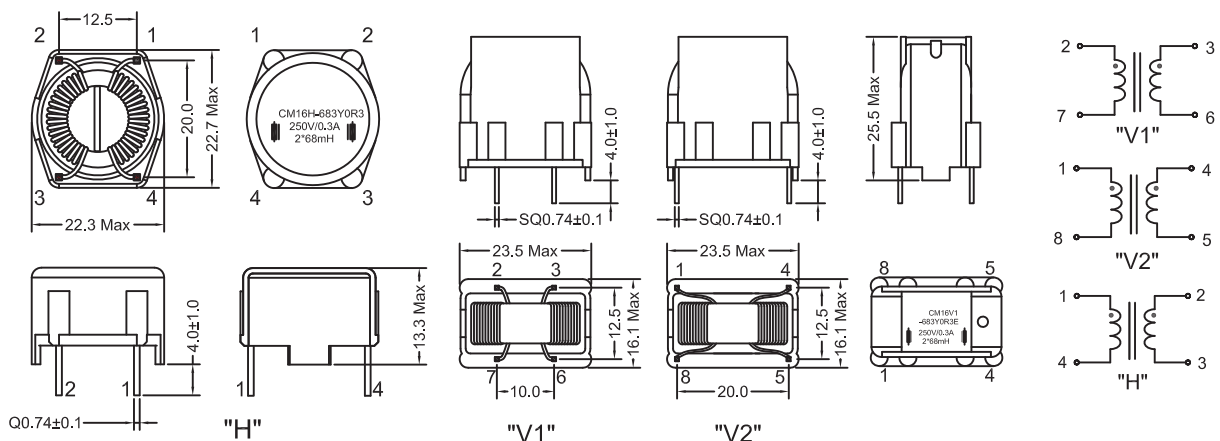
f: Rated current [OR2:0.2A;1R2:1.2A;1OR2:12A]

g: Epoxy Encapsulation

ELECTRICAL CHARACTERISTICS

Part Number			Inductance [mH] +50/-30%	Leakage inductance [uH] typ	D.C. Resistance [mΩ] Typ at 20°C	Rated current [mA]
CM16V1-683YOR3	CM16V2-683YOR3	CM16H-683YOR3	68	800	2500	300
CM16V1-563YOR5	CM16V2-563YOR5	CM16H-563YOR5	56	600	2000	500
CM16V1-473YOR5	CM16V2-473YOR5	CM16H-473YOR5	47	550	1500	500
CM16V1-393YOR5	CM16V2-393YOR5	CM16H-393YOR5	39	400	1120	500
CM16V1-273YOR8	CM16V2-273YOR8	CM16H-273YOR8	27	270	600	800
CM16V1-153Y1R0	CM16V2-153Y1R0	CM16H-153Y1R0	15	170	540	1000
CM16V1-103Y1R3	CM16V2-103Y1R3	CM16H-103Y1R3	10	90	240	1300
CM16V1-682Y1R5	CM16V2-682Y1R5	CM16H-682Y1R5	6.8	90	230	1500
CM16V1-422Y1R7	CM16V2-422Y1R7	CM16H-422Y1R7	4.2	45	175	1700
CM16V1-402Y2R0	CM16V2-402Y2R0	CM16H-402Y2R0	4.0	45	133	2000
CM16V1-332Y2R0	CM16V2-332Y2R0	CM16H-332Y2R0	3.3	35	130	2000
CM16V1-222Y2R0	CM16V2-222Y2R0	CM16H-222Y2R0	2.2	30	130	2000
CM16V1-172Y2R5	CM16V2-172Y2R5	CM16H-172Y2R5	1.7	20	80	2500
CM16V1-122Y3R0	CM16V2-122Y3R0	CM16H-122Y3R0	1.2	17	56	3000

TECHNICAL INFORMATION



DIMENSIONS:MM Tolerance: .X ±0.50 .XX ±0.25