

CURRENT-COMPENSATED FRAME CORE DOUBLE CHOKES CM22V1,V2-S SERIES



FEATURES

Rated voltage 250 VAC.
Rated current 0.5A to 8A.
Rated inductance 0.45mH to 56 mH.
Turns ratio: N1:N2=1:1±2%.
Hi-Pot: Pri-Sec: 1500VAC /5mA /2Seconds.
Test Frequency Response: 10KHz, 100mV.
Inductance tolerance: +50/-30% at 20°C.
Operating temperature: -40°C to +105°C.
All parts meet ROHS compliance.

PRODUCT IDENTIFICATION

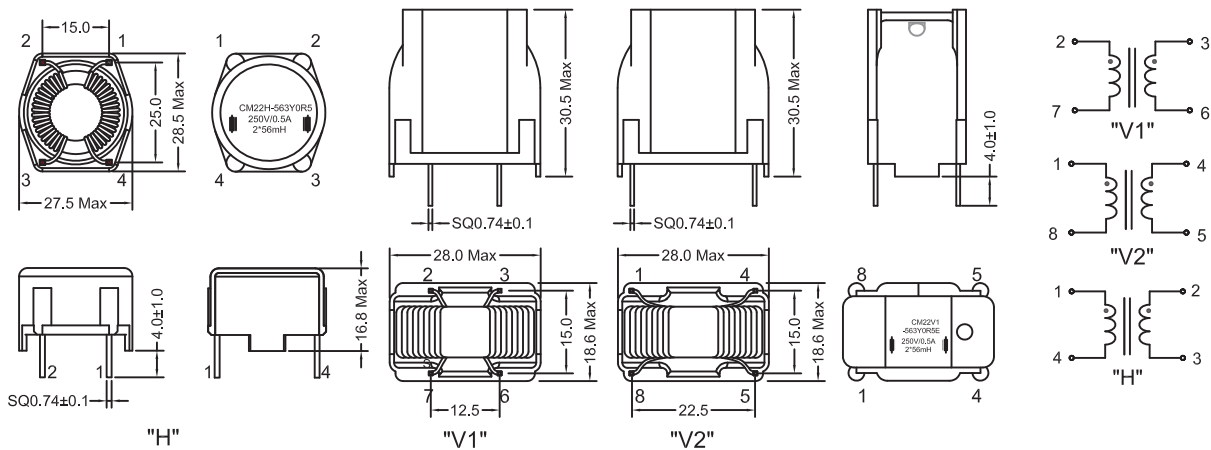
CM 22 V1 473 Y 0R6 E
a b c d e f g

a: Common mode
b: Size
c: V Vertical Install shape, H Horizontal Install shape
d: Inductance Value [101:100uH; 102:1000uH; 103:10000uH]
e: Inductance tolerance: +50/-30%
f: Rated current [0R2:0.2A; 1R2:1.2A; 10R2:12A]
g: Epoxy Encapsulation

ELECTRICAL CHARACTERISTICS

Part Number			Inductance [mH] +50/-30%	Leakage inductance [uH]typ	D.C. Resistance [mΩ] Typ at 20°C	Rated current [mA]
CM22V1-563Y0R5	CM22V2-563Y0R5	CM22H-563Y0R5	56	680	1800	500
CM22V1-473Y0R6	CM22V2-473Y0R6	CM22H-473Y0R6	47	580	1450	600
CM22V1-393Y1R0	CM22V2-393Y1R0	CM22H-393Y1R0	39	430	750	1000
CM22V1-273Y1R4	CM22V2-273Y1R4	CM22H-273Y1R4	27	270	440	1400
CM22V1-103Y1R8	CM22V2-273Y1R4	CM22H-273Y1R4	10	130	240	1800
CM22V1-562Y2R0	CM22V2-562Y2R0	CM22H-562Y2R0	5.6	70	160	2000
CM22V1-272Y4R0	CM22V2-272Y4R0	CM22H-272Y4R0	2.7	30	60	4000
CM22V1-102Y6R0	CM22V2-102Y6R0	CM22H-102Y6R0	1.0	12	22	6000
CM22V1-451Y8R0	CM22V2-451Y8R0	CM22H-451Y8R0	0.45	5	11	8000

TECHNICAL INFORMATION



DIMENSIONS:MM

Tolerance: .X ±0.50 .XX ±0.25